

Magnetic Limit switch PEK210



Field of Application

This switch is for signaling level limits with magnetic level gauges. All controllers in accordance with DIN 50227 (NAMUR) may be used for operation. Use in Ex Zone 1 and 2 is allowed only when connected to intrinsically safe circuits. Also redundant and fail safe operation is possible.

General Data

Fastening: with strap retainers
Fitting position: Cable gland downwards
Ingress protection: min IP65
Material housing: Aluminum
Switching rate: 2 HZ
Manner of fastening: with strap retainers
Measures: 75 x 80 x 57
Weight: 0,4 kg

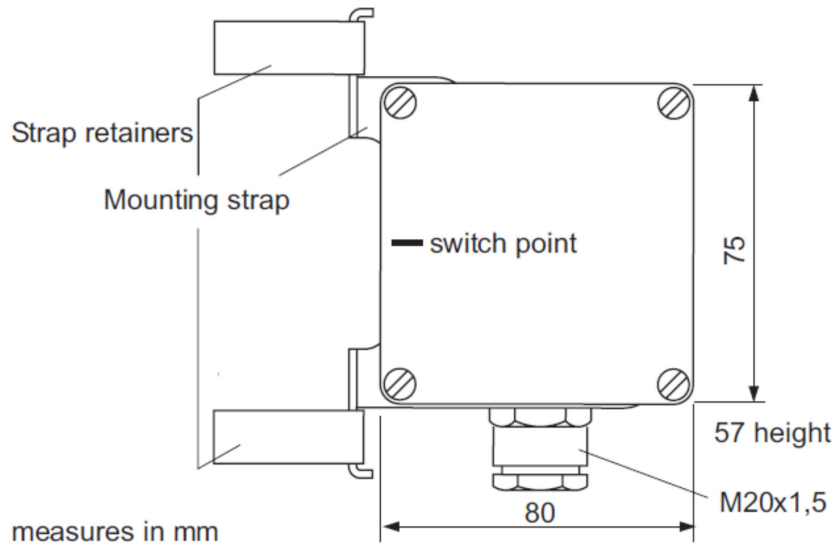
Electrical Data

Cable gland: M20x1,5
Screw terminals: 2,5 mm²
Power supply (DIN EN 50227): 8, 2 V
Wire resistance: < 100R
Switch module Type: Cylindrical
Switch module principle: inductive
Ex-Data: II 2G EEx ia IIC T4
OFF-current: ≤ 1 mA
ON-current: ≥ 3mA

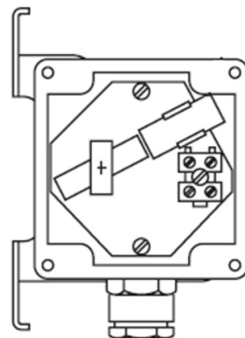
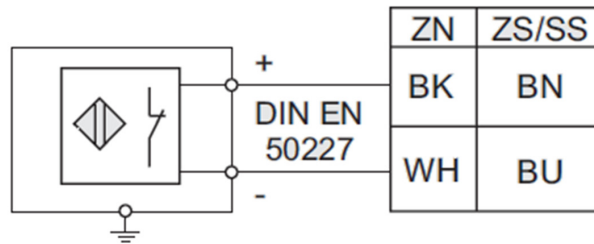
Specifications

Type	PEK 210
OFF Current	$\leq 1\text{mA}$
ON Current	$\geq 3\text{mA}$
Target	Magnet damps
Shock resistance	5G
Switching Rate	$< 3\text{ HZ}$
Protection circuit	Short-circuit protection
Power supply voltage	10 to 16 VDC. Ripple (p-p): 10% max.
Output type	Solid State Switch
Cable gland	M20
Protection	IP65
Ambient air temperature	Operating: -40°C to 100°C , Storage: -40°C to 120°C
Material Case	Aluminum
Case Color	Grey
Box-Measurers	75 x 57.5 x 80 mm
Weight	Approx.500g

Dimensions



Connection Diagram



Pars Electronic Kish

Unit, No. 20, Qavam pour Alley, North
Sheikh Bahai St, Tehran, Iran

Tel: +9821-88613511
Fax: +9821-88602547
info@parsek.org
www.parsek.org

